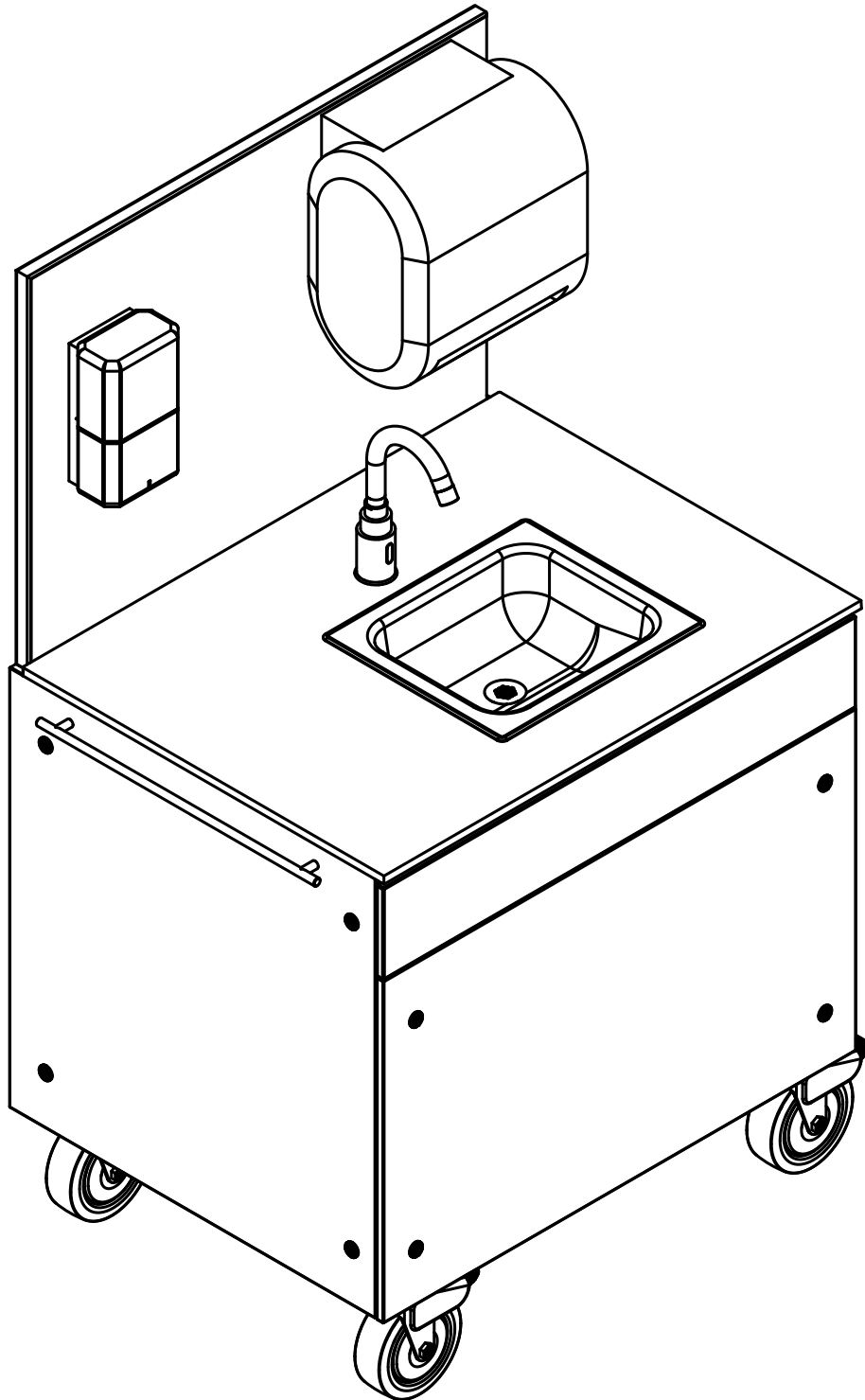


Sloan Mobile Handwashing Station MH-1000 Installation and Operation Instructions

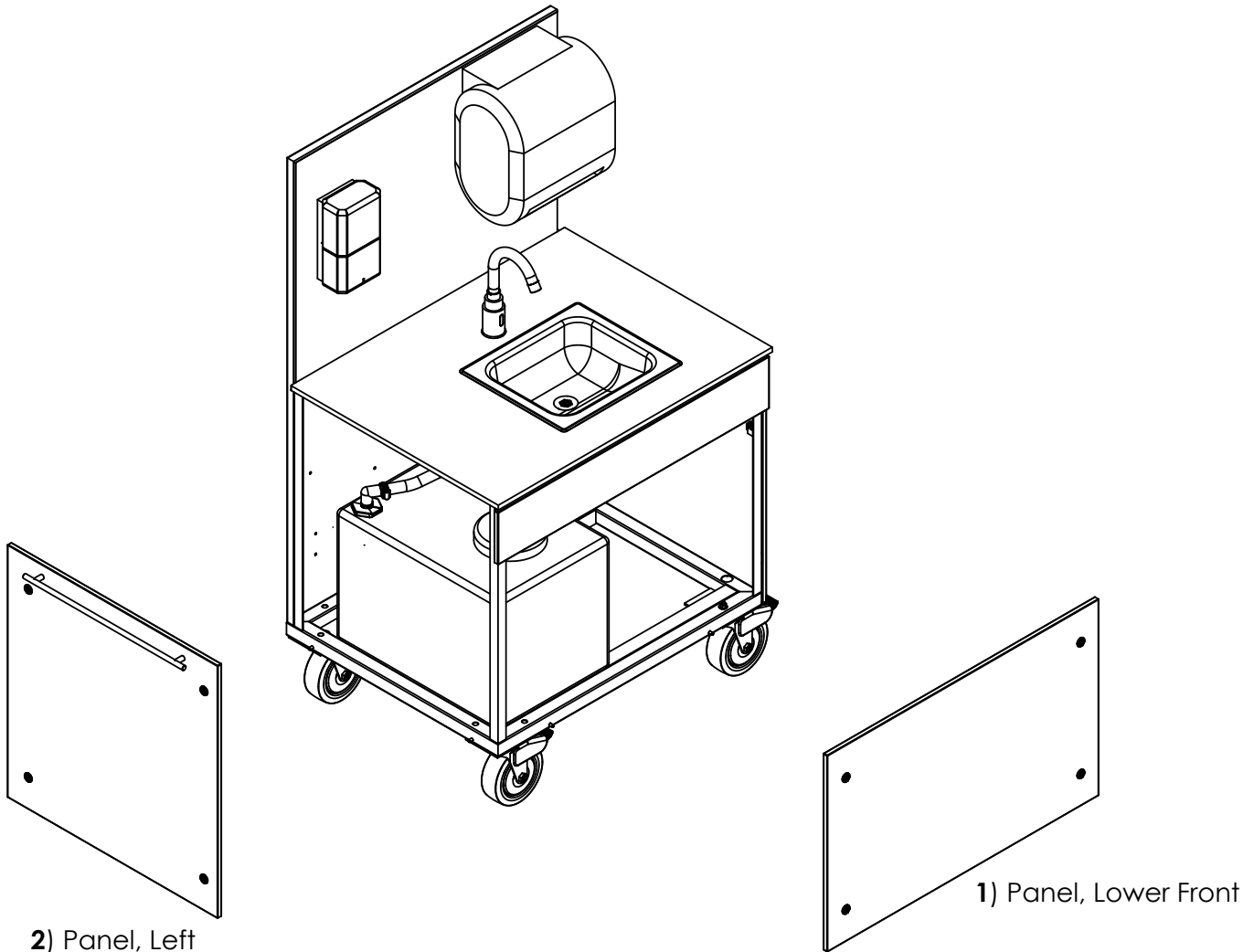


Limited Warranty

Unless otherwise noted, Sloan Valve Company warrants its Mobile Handwashing Sink to be made of first class materials, free from defects of material or workmanship under normal use and to perform the service for which it is intended in a thoroughly reliable and efficient manner when properly installed and serviced, for a period of one year from date of purchase. During this period, Sloan Valve Company will, at its option, repair or replace any part or parts which prove to be thus defective if returned to Sloan Valve Company, at customer's cost, and this shall be the sole remedy available under this warranty. This warranty covers enclosure framing, panels, countertop material and attachments. It does not limit or extend individual product component warranties provided by the component manufacturer. No claims will be allowed for labor, transportation or other incidental costs. This warranty extends only to persons or organizations who purchase Sloan Valve Company's products directly from Sloan Valve Company for purpose of resale. This warranty does not cover the life of the batteries.

THERE ARE NO WARRANTIES WHICH EXTEND BEYOND THE DESCRIPTION ON THE FACE HEREOF. IN NO EVENT IS SLOAN VALVE COMPANY RESPONSIBLE FOR ANY CONSEQUENTIAL DAMAGES OF ANY MEASURE WHATSOEVER.

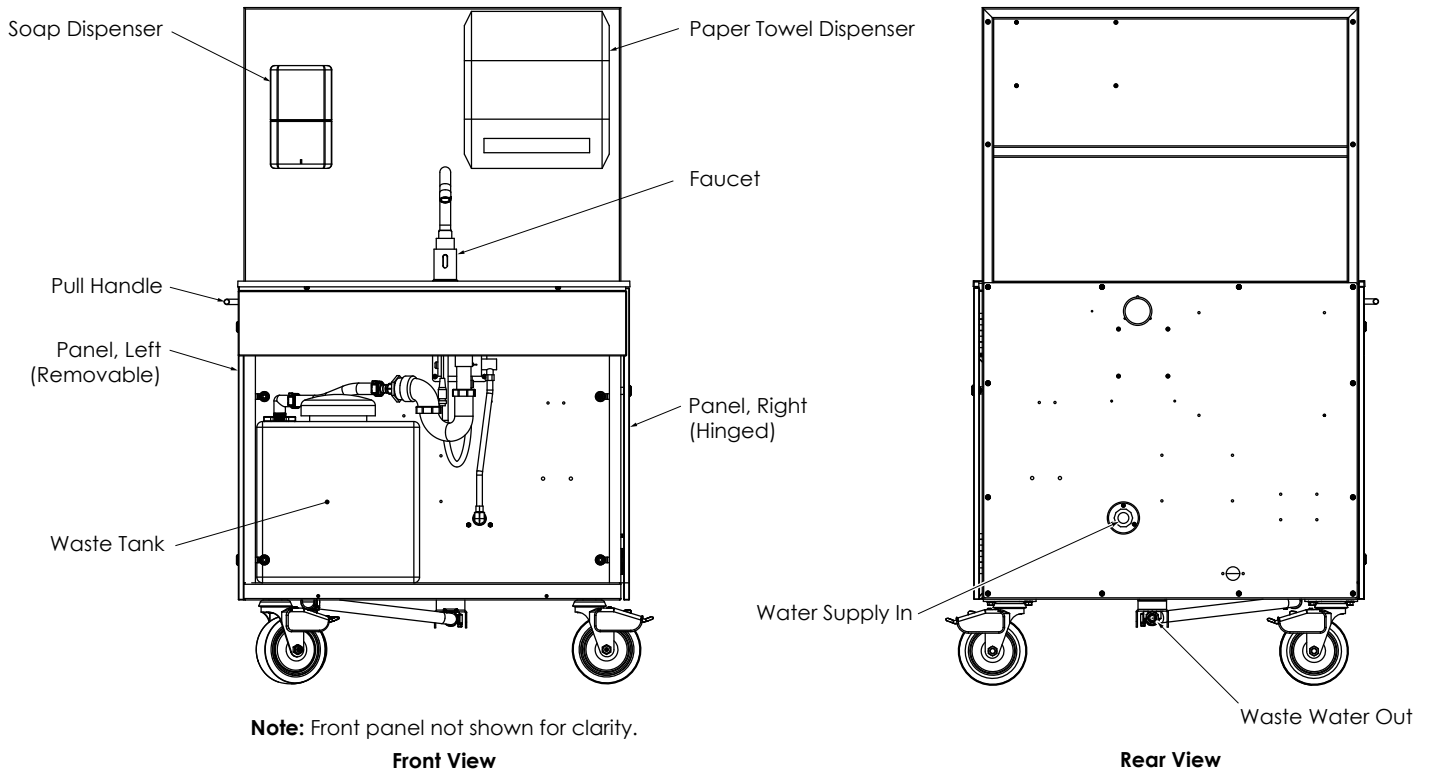
Figure 1



Parts List			
Description	Item Number	Quantity	
Panel, Lower Front	1	1	
Panel, Left	2	1	
1/4" Hex Key (Not Shown)	3	1	
Paper Towel Key (Tool) (Not Shown)	4	1	
Trash Bag Holder (Not Shown) For standard 13 gallon draw-string trash bag, see spare parts list for details.	5	1	

MH-1000 Mobile Hand Hygiene 1 SS Component Layout

Figure 2



Component / Description	
Component	Description
Soap Dispenser	GOJO CS-8
Paper Towel Dispenser	EnMotion Impulse Auto Paper Towel Dispenser, White
Faucet	Sloan SF-2250 Gooseneck Faucet
Access Panel - Right	Hinged
Access Panel - Front	Removable
Access Panel - Left	Removable
Pull Handle	Handle for moving unit around facility
Water Supply In	3/4" garden hose connection
Waste Water Out	3/4" garden hose connection

Initial Setup Prior to First Use

IMPORTANT

(Must be completed before initial power up and water connection)

- Use holding tank cleaner/treatment for 16 gallon waste tank.
- Batteries for the paper towel dispenser are shipped loose and must be installed prior to initial use.
- Soap bottle is shipped loose and must be installed prior to initial use.
- Connect external water supply.
- Make sure that manual drain is closed prior to using.

Faucet:

- Refer to detailed SF-2250 instructions available via Sloan.com for the following:
 - Sensor calibration (If required)
Note: Failure to properly calibrate the faucet sensor may lead to unexpected activation and increase maintenance intervals.
 - Priming
 - Battery replacement
 - Care and cleaning

Soap Dispenser:

- Refer to detailed CS-8 instructions available via GOJO.com for the following:
 - Installation of replacement soap bottle and battery (Shipped together)
 - Care and cleaning

Paper Towel Dispenser:

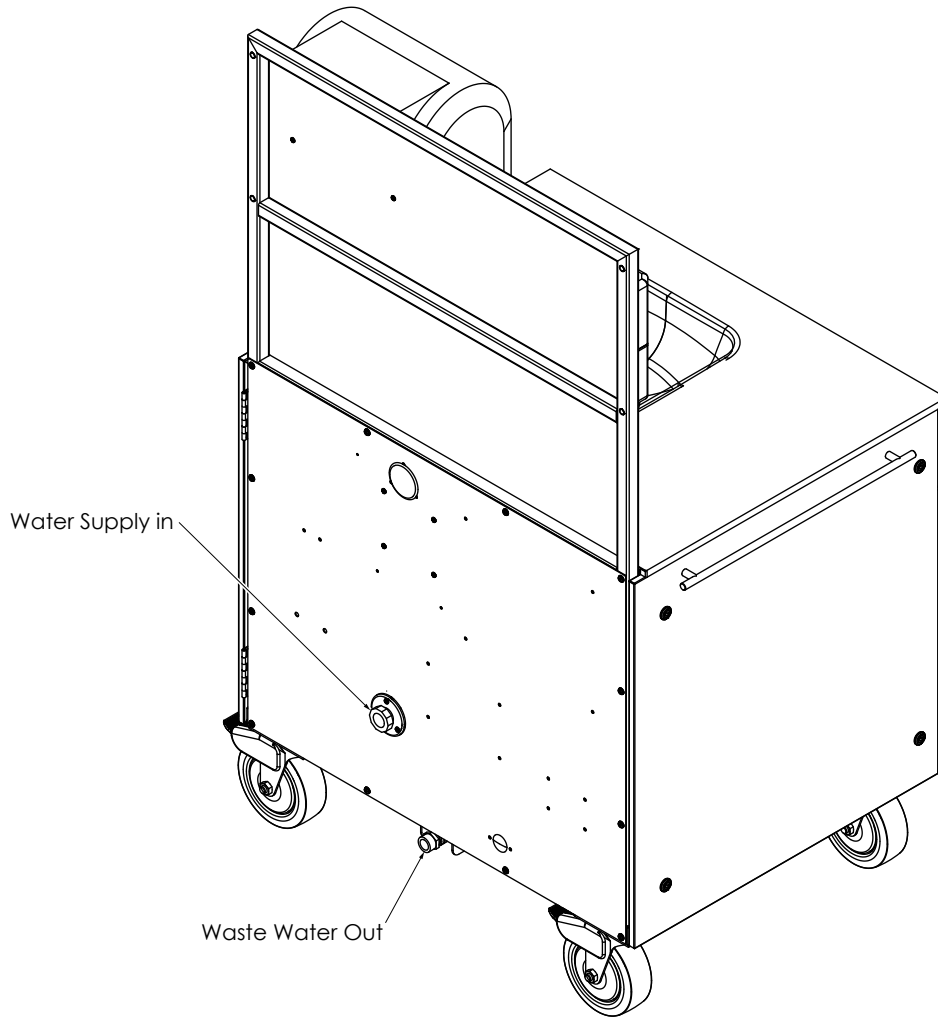
- Refer to EnMotion manufacturer instructions for the following:
 - Installation of batteries (Included, shipped loose)
 - Paper towel installation
 - Paper length setting
 - Care and cleaning

16 Gallon Waste Tank

- Sanitation of Grey Water Tank
 - The 16 Gallon grey water tank must be treated to break down waste and eliminate odors. Using a liquid holding tank cleaner/treatment, follow the holding tank cleaner instructions for cleaning or treatment of grey water holding tank. For best results, clean and flush the tank weekly regardless of the water level or usage. Recommend using a formaldehyde-free formulation that is safe for all pipes including PVC. Routine treatment is an important step to ensure reliable service.

Setting Up for External Water Supply In and Waste Water Out

Figure 3



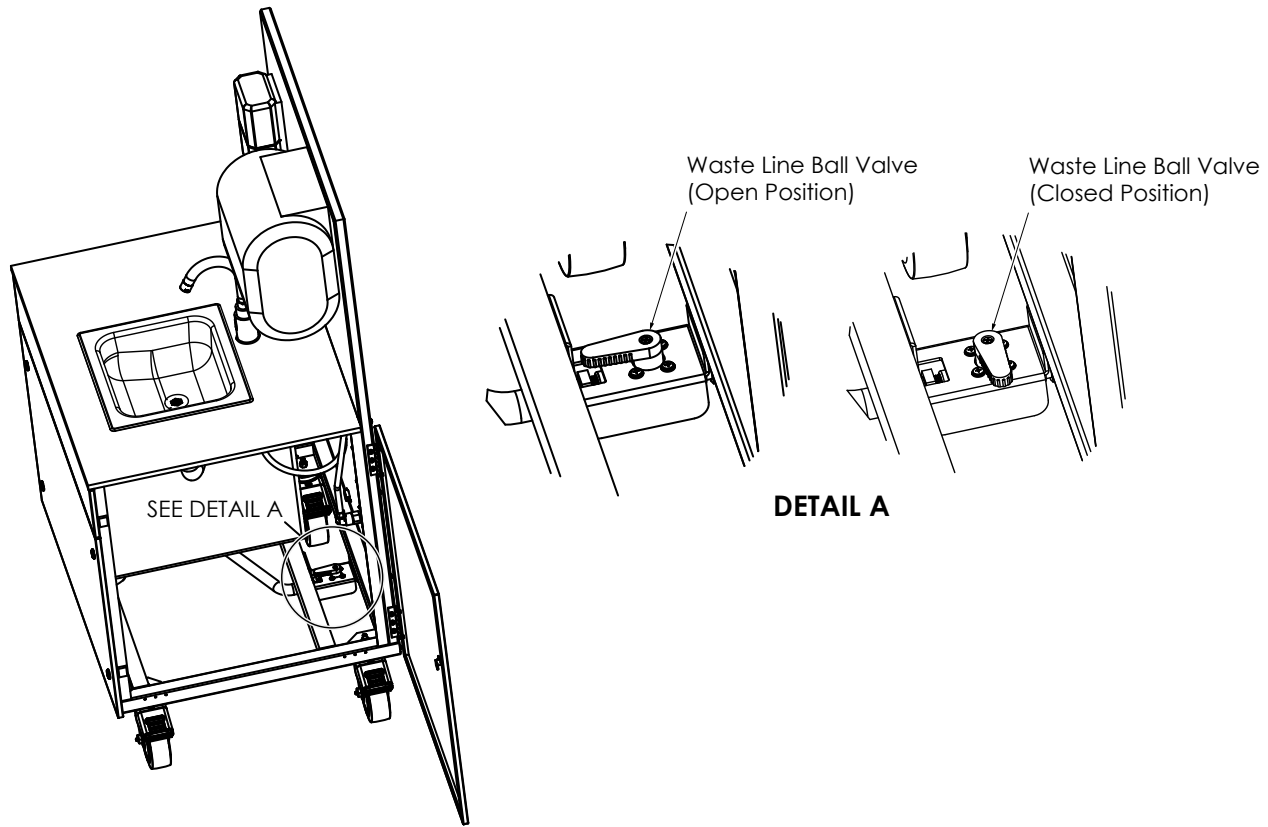
1. Connecting to water supply in.
 - a. Make sure that the external water is OFF
 - b. Using a standard 3/4" garden hose or equivalent, connect to an external water supply. Connect the opposite end of the hose to the Water Supply In on the middle, rear panel of the Mobile Handwashing Sink.
 - c. Make sure that connection is tight and does not leak.

2. Connecting to waste line out.
 - a. Using a standard 3/4" garden hose or equivalent, connect to the Waste Line Out on the bottom, rear panel of the Mobile Handwashing Sink.
 - b. Make sure that connection is tight and does not leak.
 - c. Place the opposite end of the hose in an appropriate area for draining waste water tank.

Note: If proper drainage isn't available use buckets or other water tight containers to drain contents of the waste tank into.

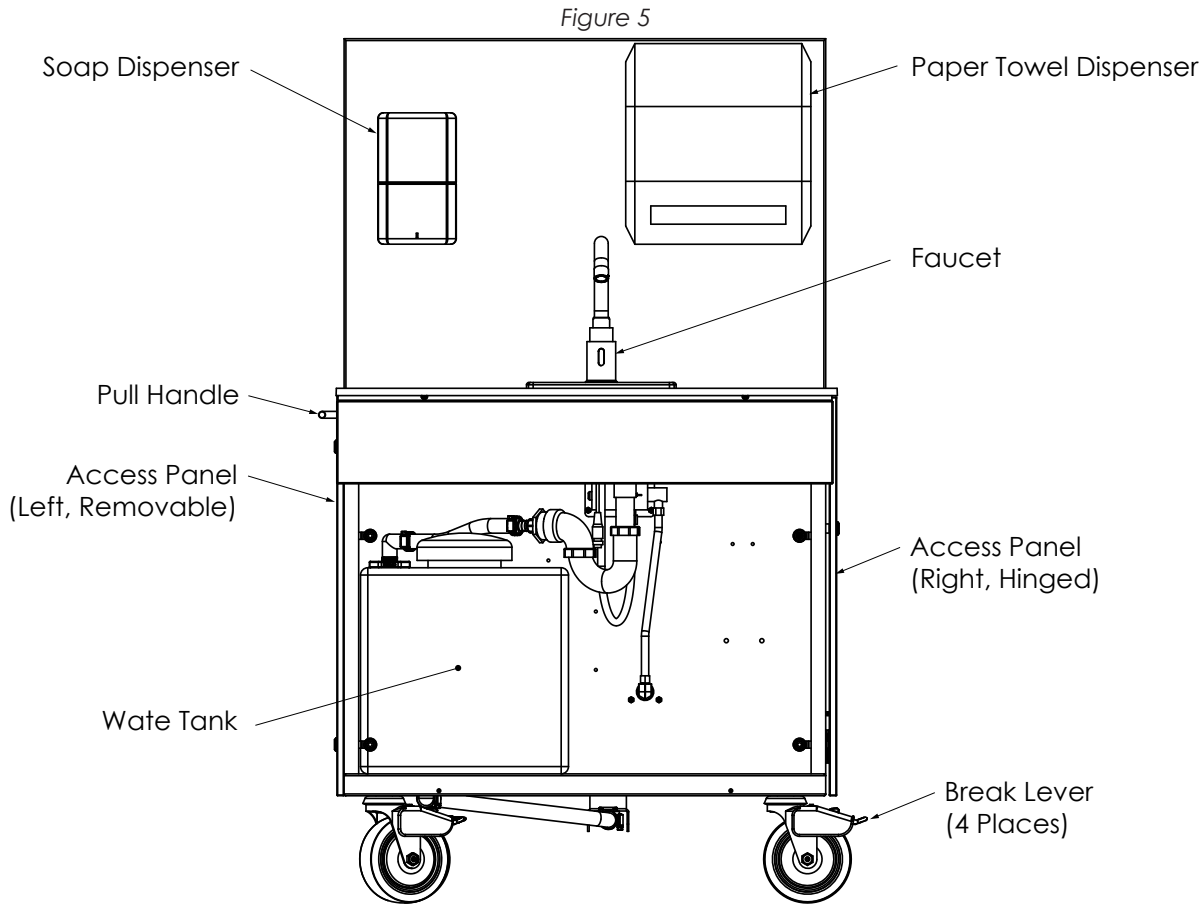
Draining the Waste Water Tank

Figure 4



1. Draining the waste tank.
 - a. Make sure that waste line hose is connected to waste line out at the bottom rear panel of the Mobile Handwashing Sink.
 - b. Make sure that the opposite end of the waste line hose is in an appropriate location to drain the waste water tank. 16 gallons minimum drainage.
 - c. Use a 1/4" allen wrench (Included) to unlock the cam latch on the right access panel. Open the right side access panel.
 - d. Locate the waste line ball valve and turn a 1/4 turn to open the valve.
 - e. Close the waste line ball valve when waste water tank is empty.**
 - f. Close the right access panel. Use a 1/4" allen wrench to lock the cam latch.

Operation Instructions



Note: Front access panel not shown for clarity.

Front View

1. Position the Mobile Handwashing Sink where needed.
2. Set the break on each caster to secure the Mobile Handwashing Sink in place.
 - a. Press down on the break lever for each caster until the break lever locks into place and the caster no longer rotates freely.
 - b. To release the break press up on each break lever until the lever locks in the open position and the caster rotates freely.
3. Connect external water supply in and the waste line out. Waste line can be connected now or at a later time. Example: Move the sink to a proper drainage area, then connect the waste line.
4. When using the Mobile Handwashing Sink for the first time, prime the sensor faucet by moving your hand in front of the faucet sensor to prime the water lines.

The Mobile Handwashing Sink is ready for use.

5. Drain Waste Tank when above half full.
 - a. Periodically remove or open an access panel to check the waste tank water level. If the waste tank water level is more than half full, drain the waste tank.

Note: If the sink fills with water, verify that the waste tank is not full.

Suggested Usage Schedule

Description	Unit of Measure	Frequency
Fresh Water	5gal Bottle	3 per Day
Waste Water	16 gal Tank	Drain Daily
Soap Refill	Refill	2 per Day
Paper Towel Refill	Roll	Daily

Notes:

1. Frequency may vary per actual daily use.
2. Empty and treat waste water tank weekly, regardless of use.

WARNING

DO NOT operate or store Mobile Hand Washing Station below freezing temperatures. Damage to internal components may occur.

Care and Maintenance

Stainless Steel Care

Stainless steel has a bright surface that is easy to clean and is free from oxides. Therefore, cleaning of stainless steel is relatively simple and easy if done on a regular basis.

Frequency of cleaning should depend on the rate at which the fixture becomes dirty. Remember that fresh (soft) deposits of all kinds are relatively easy to remove, while removing older are much more difficult. Establish a cleaning SCHEDULE. Routine cleaning should involve ordinary soap or detergent and water, applied with a sponge, brush or cloth. Rinse THOROUGHLY and wipe dry.

DO NOT use common steel wool, scouring pads, scrapers, wire brushes, files or other steel tools to clean stainless steel. Certain chemical compounds, if used on stainless steel can give the appearance of rust and if allowed to stand for long periods of time can pit the surface of stainless steel. Products containing hydrochloric acid, muriatic acid or potassium hydrochloride should never be used.

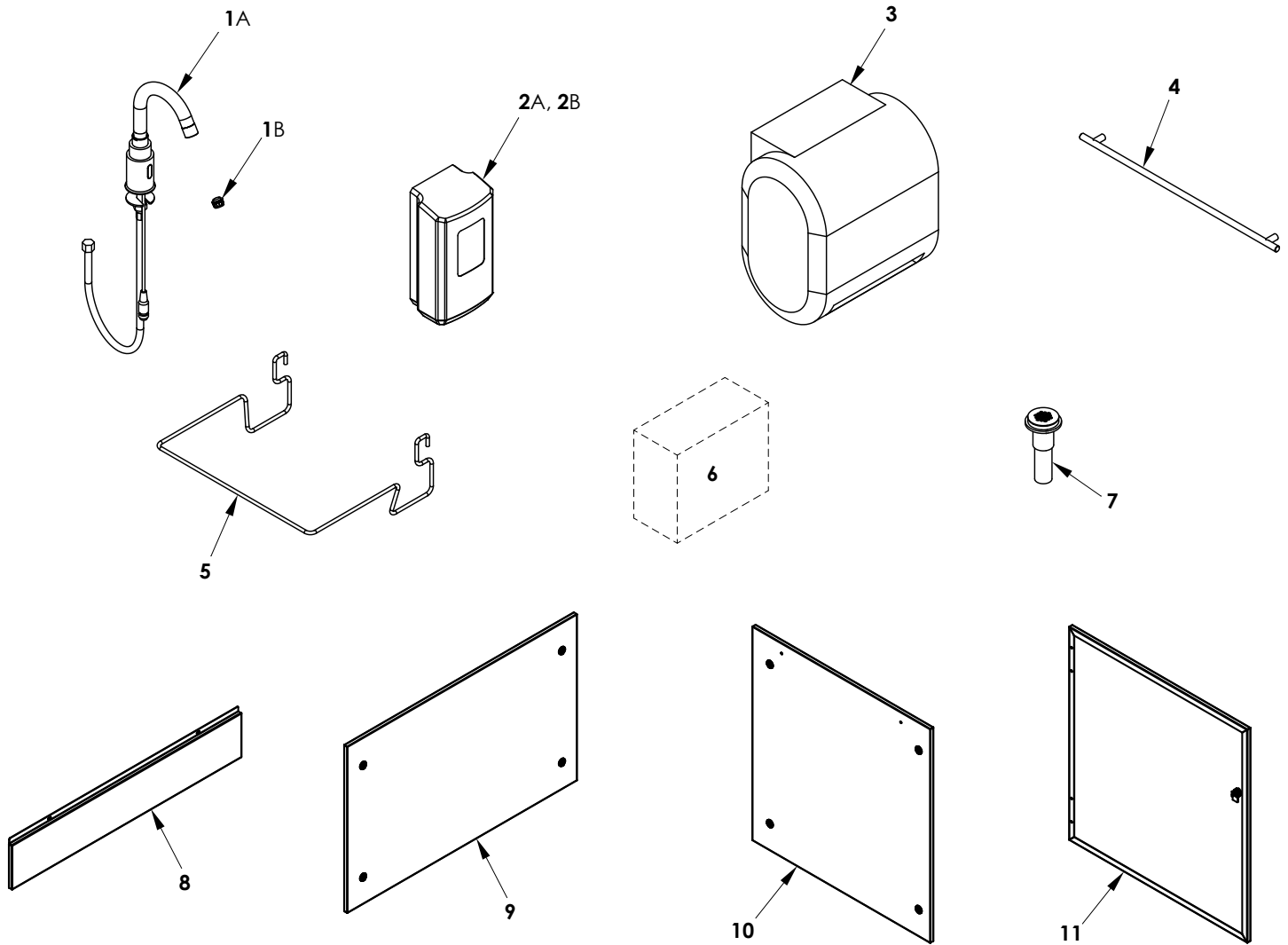
Tips to Keep Stainless Steel Clean and Corrosion Free

1. Utilize the proper tools.
2. Wipe with the grain of the stainless steel.
3. Utilize alkaline, alkaline chlorinated, or non-chloride containing cleansers.
4. Soften hard water with filters to reduce mineral deposits.
5. Clean your equipment frequently to prevent food particles from causing pits and cracks.
6. If a chlorinated cleanser is used, rinse and dry immediately.
7. Absolutely, never under any circumstances use hydrochloric acid (muriatic acid) on stainless steel.
8. Periodically restore or passivate your stainless steel.

Lubrication

Periodically apply silicone or oil lubricant to moving parts such as casters and hinges for smooth operation and protection.

Illustrated Parts List



Spare Parts List

Item No.	Code No.	Description
1A	3362144	Sloan® SF-2250-Gooseneck Faucet
1B	0365420	0.5 GPM Aerator for Sloan® SF-2250 Faucet
2A	0383300	PURELL® CS8 Soap Dispenser
2B	0383301	PURELL® CS8 1200 mL HEALTHY SOAP® refill, 2pk.
3	0383332	Georgia Pacific® enMotion® Impulse® Automatic Paper Towel Dispenser, White
4	0383505	Pull Handle
5	0383390	Trash bag Holder
6	0383518	Graphic Label Kit
7	0386057	McGuire® ProDrain® with 1 1/4" Tailpiece
8	3830010	MH PANEL ASM-UPPER FRONT NO DISPLAY
9	3830008	MH PANEL ASM-LOWER FRONT
10	3830006	MH PANEL ASM-LEFT
11	3830007	MH PANEL ASM-RIGHT